

Michaels®

Embroidery Design
Sewing Information

Production Worksheet

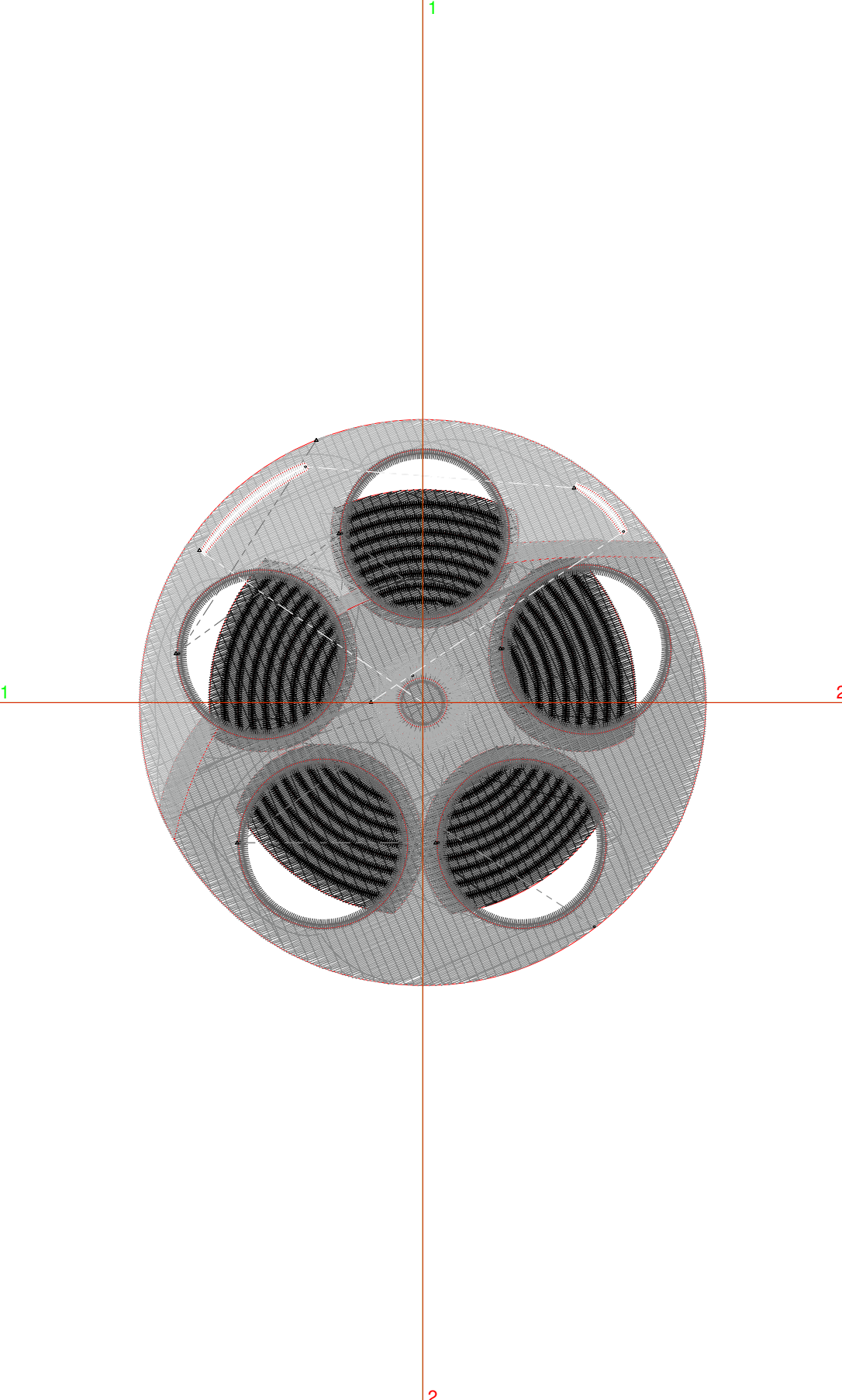
Wilcom TrueSizer



Design: **Film Reel**

Title: **Film Reel**

Stitches: 24,931
 Height: 3.81 in
 Width: 3.82 in
 Colors: 7
 Colorway: Colorway 1
 Zoom: 1:1



Machine format: Tajima
 Color changes: 7
 Stops: 8
 Trims: 21
 Auto fabric: Pure Cotton
 Required stabilizer: Topping:
 Backing: Tear Away x 2
 Appliqués: 0
 Left: 48.5 mm
 Right: 48.5 mm
 Up: 48.4 mm
 Down: 48.4 mm
 EndX: 0.00 in
 EndY: 0.00 in
 Area: 14.54 in²
 Max stitch: 6.9 mm
 Min stitch: 0.3 mm
 Max jump: 6.9 mm
 Total thread: 449.74ft
 Total bobbin: 168.01ft

Stop Sequence:

#	#	Color	St.	Code	Name	Chart
1.	3	■	5,875	3	Green	Wilcom
2.	5	■	6,049	5	Red	Wilcom
3.	4	■	6,158	4	Yellow	Wilcom
4.	2	■	3,129	2	Cyan	Wilcom
5.	1	■	2,784	1	Blue	Wilcom
6.	6	■	285	6	Brick Red	Wilcom
7.	2	■	380	2	Cyan	Wilcom
8.	15	□	269	15	White	Wilcom