

Michaels®

Embroidery Design
Sewing Information

Production Worksheet

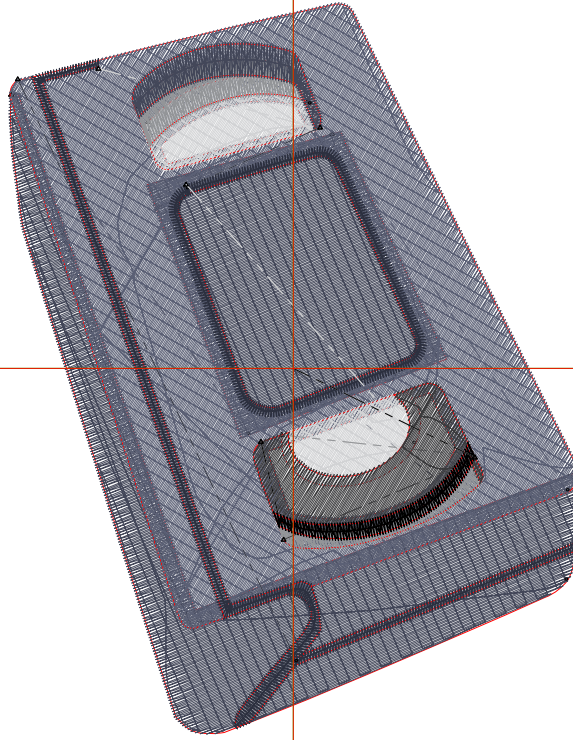
Wilcom TrueSizer



Design: **Movie Cassette**

Title: **Movie Cassette**

Stitches: 13,772
 Height: 3.81 in
 Width: 2.96 in
 Colors: 7
 Colorway: Colorway 1
 Zoom: 1:1



Machine format: Tajima
 Color changes: 10
 Stops: 11
 Trims: 12
 Auto fabric: Pure Cotton
 Required stabilizer: Topping:
 Backing: Tear Away x 2
 Appliqués: 0
 Left: 37.6 mm
 Right: 37.6 mm
 Up: 48.4 mm
 Down: 48.4 mm
 EndX: 0.00 in
 EndY: 0.00 in
 Area: 11.29 in²
 Max stitch: 10.4 mm
 Min stitch: 0.3 mm
 Max jump: 7.0 mm
 Total thread: 273.13ft
 Total bobbin: 106.17ft

Stop Sequence:

#	#	Color	St.	Code	Name	Chart
1.	5	█	4,381	5	Red	Wilcom
2.	6	█	5,460	6	Brick Red	Wilcom
3.	1	█	999	1	Blue	Wilcom
4.	7	█	446	7	Magenta	Wilcom
5.	4	█	182	4	Yellow	Wilcom
6.	5	█	246	5	Red	Wilcom
7.	1	█	660	1	Blue	Wilcom
8.	7	█	370	7	Magenta	Wilcom
9.	4	█	221	4	Yellow	Wilcom
10.	3	█	584	3	Green	Wilcom
11.	2	█	221	2	Cyan	Wilcom