

Michaels®

Embroidery Design  
Sewing Information

# Production Worksheet

Wilcom TrueSizer

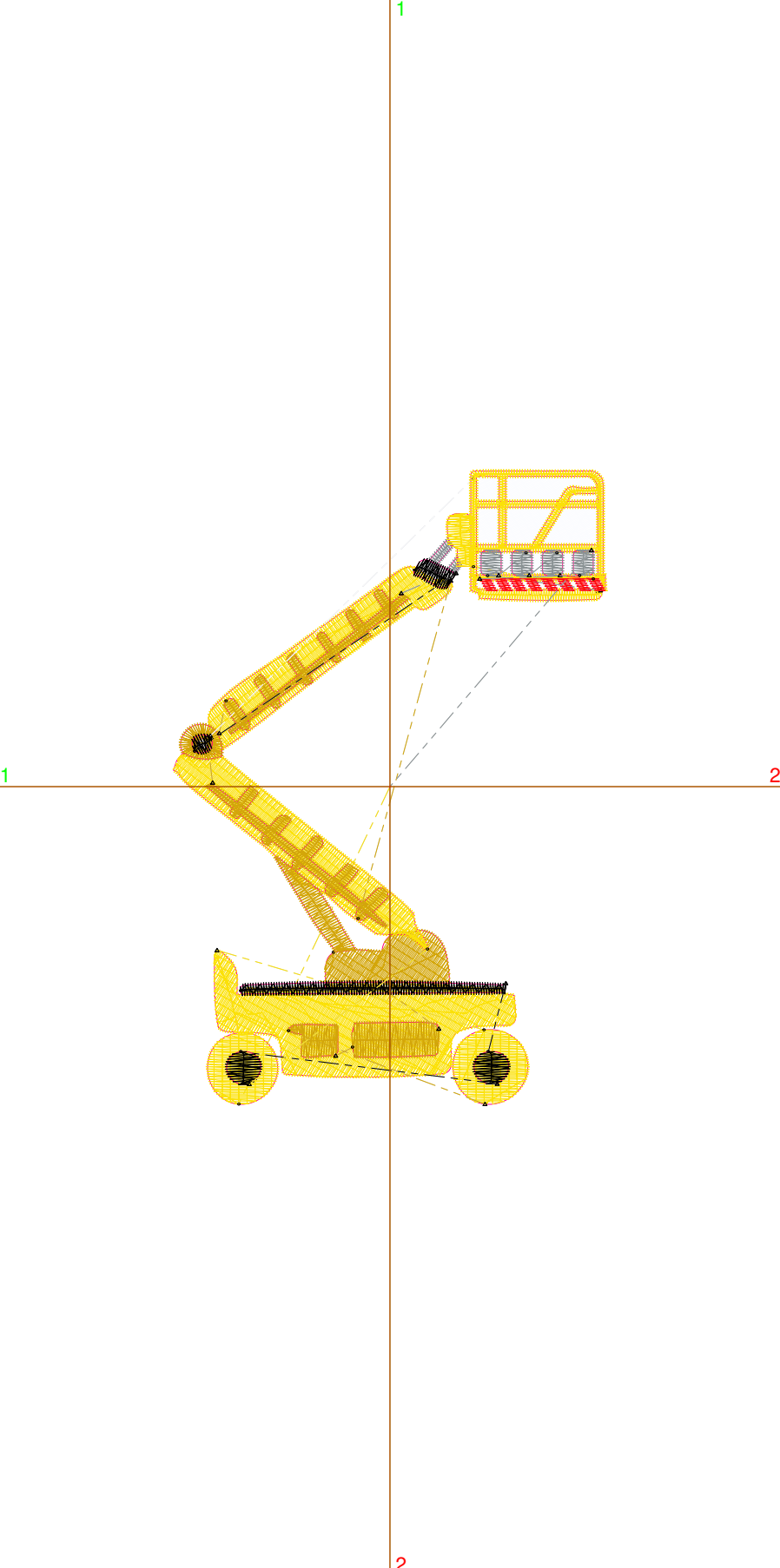


Design: Yellow Knuckle Boom

Title: Yellow Knuckle Boom

Stitches: 7,516  
 Height: 3.81 in  
 Width: 2.60 in  
 Colors: 6  
 Colorway: Colorway 1  
 Zoom: 1:1

Machine format: Tajima  
 Color changes: 11  
 Stops: 12  
 Trims: 22  
 Auto fabric: Fabric Name  
 Required stabilizer: Stabilizer  
 Appliqués: 0  
 Left: 33.0 mm  
 Right: 33.0 mm  
 Up: 48.3 mm  
 Down: 48.3 mm  
 EndX: 0.00 in  
 EndY: 0.00 in  
 Area: 9.91 in<sup>2</sup>  
 Max stitch: 7.5 mm  
 Min stitch: 0.2 mm  
 Max jump: 6.9 mm  
 Total thread: 131.33ft  
 Total bobbin: 46.26ft



Stop Sequence:

#	#	Color	St.	Code	Name	Chart
1.	18	Yellow	1,700	Yellow	PMS 116	Madeira Classic 1125
2.	21	Yellow	554	Masturd	PMS 124	Madeira Classic 1025
3.	12	Black	373	Black		Madeira Classic 1000
4.	18	Yellow	1,493	Yellow	PMS 116	Madeira Classic 1125
5.	21	Yellow	1,138	Masturd	PMS 124	Madeira Classic 1025
6.	33	Gray	58	Gray	PMS 430	Madeira Classic 1118
7.	12	Black	85	Black		Madeira Classic 1000
8.	13	White	766	White		Madeira Classic 1005
9.	18	Yellow	1,059	Yellow	PMS 116	Madeira Classic 1125
10.	33	Gray	113	Gray	PMS 430	Madeira Classic 1118
11.	7	Red	133	Red	PMS 186	Madeira Classic 1147
12.	33	Gray	42	Gray	PMS 430	Madeira Classic 1118