

Michaels®

Embroidery Design
Sewing Information

Production Worksheet

Wilcom TrueSizer

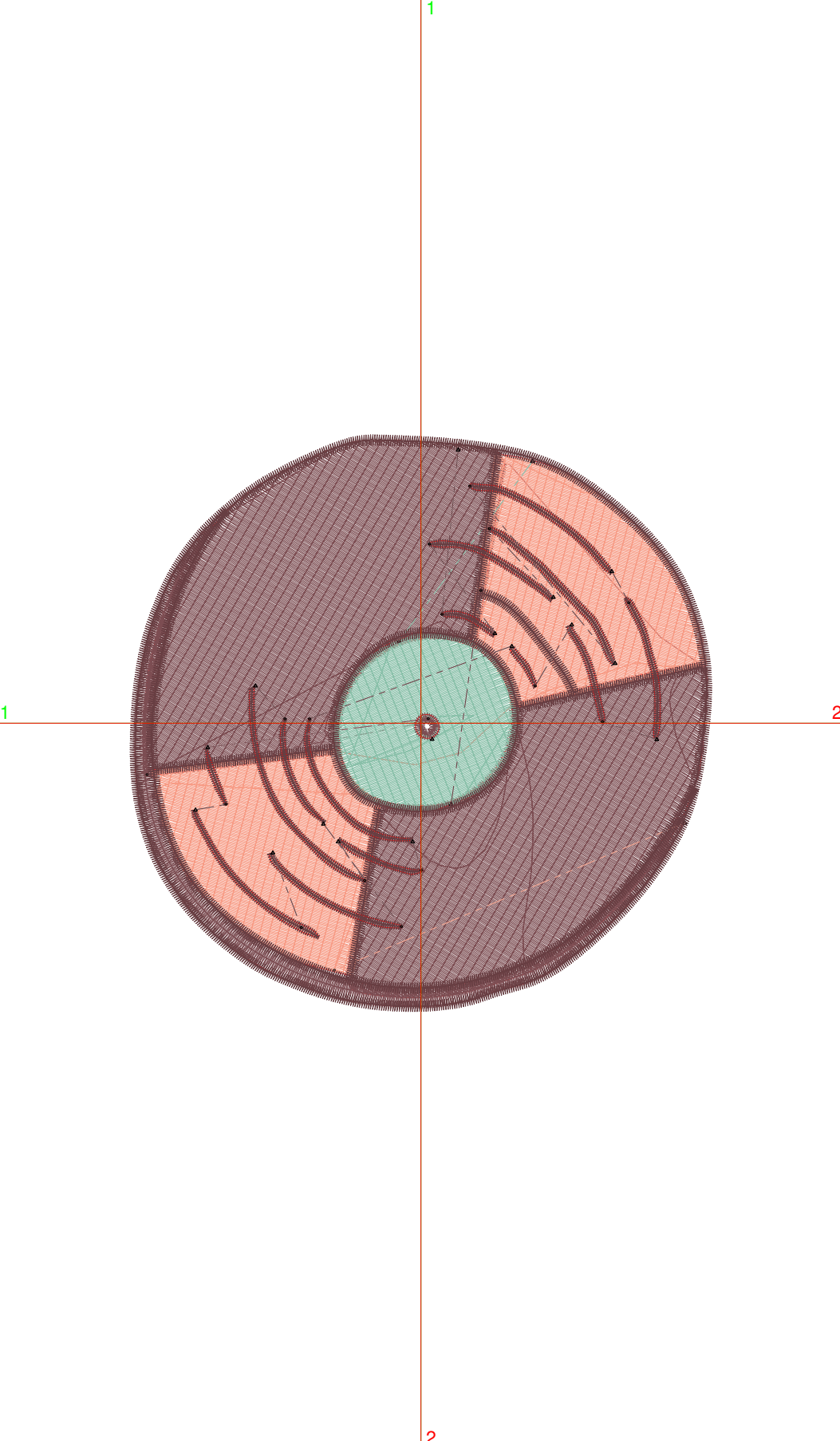


Design: **Hypnotic Vinyl**

Title: **Hypnotic Vinyl**

Stitches: 20,827
 Height: 3.77 in
 Width: 3.80 in
 Colors: 4
 Colorway: Colorway 1
 Zoom: 1:1

Machine format: Tajima
 Color changes: 4
 Stops: 5
 Trims: 19
 Auto fabric: Pure Cotton
 Required stabilizer: Topping:
 Backing: Tear Away x 2
 Appliqués: 0
 Left: 48.3 mm
 Right: 48.3 mm
 Up: 47.8 mm
 Down: 47.8 mm
 EndX: 0.00 in
 EndY: 0.00 in
 Area: 14.31 in²
 Max stitch: 6.8 mm
 Min stitch: 0.3 mm
 Max jump: 6.8 mm
 Total thread: 395.90ft
 Total bobbin: 152.65ft



Stop Sequence:

#	#	Color	St.	Code	Name	Chart
1.	2	Red Brown	8,759	44	Red Brown	Wilcom
2.	3	Pink	3,743	10	Pink	Wilcom
3.	1	Light Green	1,349	26	Light Green	Wilcom
4.	35	Murky Green	6,875	35	Murky Green	Wilcom
5.	2	Red Brown	99	44	Red Brown	Wilcom

Color Film

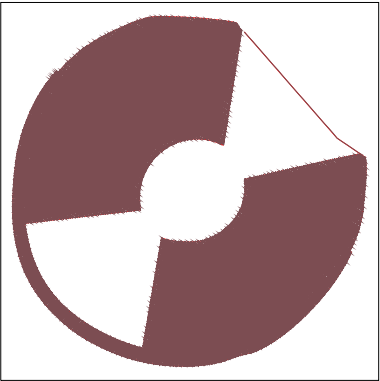
Wilcom TrueSizer



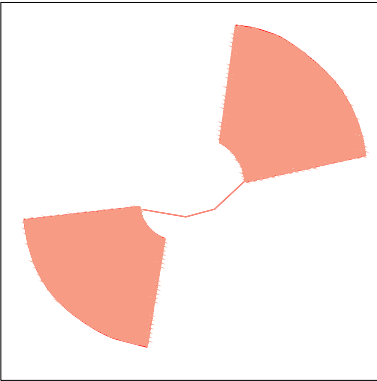
Design: **Hypnotic Vinyl**

Title: **Hypnotic Vinyl**

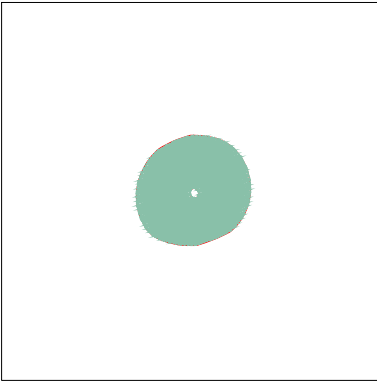
Stitches: 20,827
Height: 3.77 in
Width: 3.80 in
Colors: 4
Colorway: Colorway 1
Zoom: 0.49



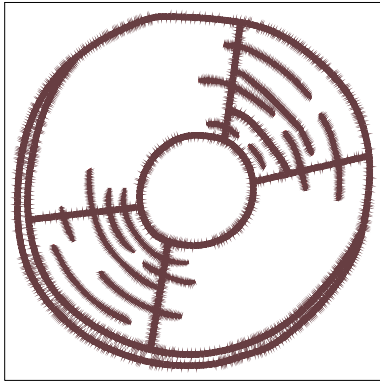
Stop #: 1
Code: 44
Name: Red Brown
Chart: Wilcom
Stitches: 8,759
Thread used: 188.89ft



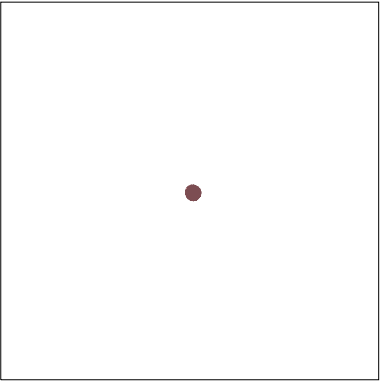
Stop #: 2
Code: 10
Name: Pink
Chart: Wilcom
Stitches: 3,743
Thread used: 80.91ft



Stop #: 3
Code: 26
Name: Light Green
Chart: Wilcom
Stitches: 1,349
Thread used: 28.58ft



Stop #: 4
Code: 35
Name: Murky Green
Chart: Wilcom
Stitches: 6,875
Thread used: 94.65ft



Stop #: 5
Code: 44
Name: Red Brown
Chart: Wilcom
Stitches: 99
Thread used: 1.22ft