

Michaels®

Embroidery Design
Sewing Information

Production Worksheet

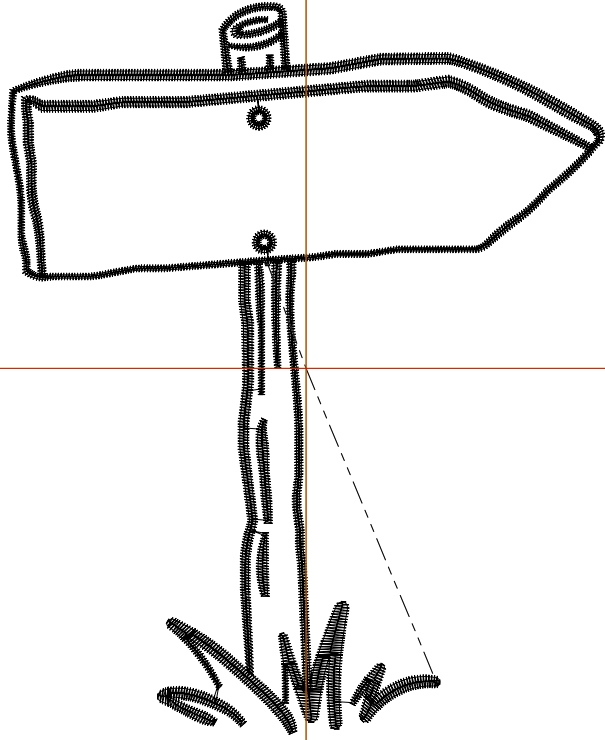
Wilcom TrueSizer



Design: **Wooden Signpost**
 Title: **Wooden Signpost**

Stitches: 4,500
 Height: 3.81 in
 Width: 3.11 in
 Colors: 1
 Colorway: Colorway 1
 Zoom: 1:1

Machine format: Tajima
 Color changes: 0
 Stops: 1
 Trims: 1
 Auto fabric: Fabric Name
 Required stabilizer: Stabilizer
 Appliqués: 0
 Left: 39.5 mm
 Right: 39.5 mm
 Up: 48.4 mm
 Down: 48.4 mm
 EndX: 0.00 in
 EndY: 0.00 in
 Area: 11.86 in²
 Max stitch: 7.0 mm
 Min stitch: 0.2 mm
 Max jump: 7.0 mm
 Total thread: 57.05ft
 Total bobbin: 16.12ft



Stop Sequence:

#	#	Color	St.	Code	Name	Chart
1.	13	■	4,498	13	Black	DecoStudio