

Michaels®

Embroidery Design
Sewing Information

Production Worksheet

Wilcom TrueSizer

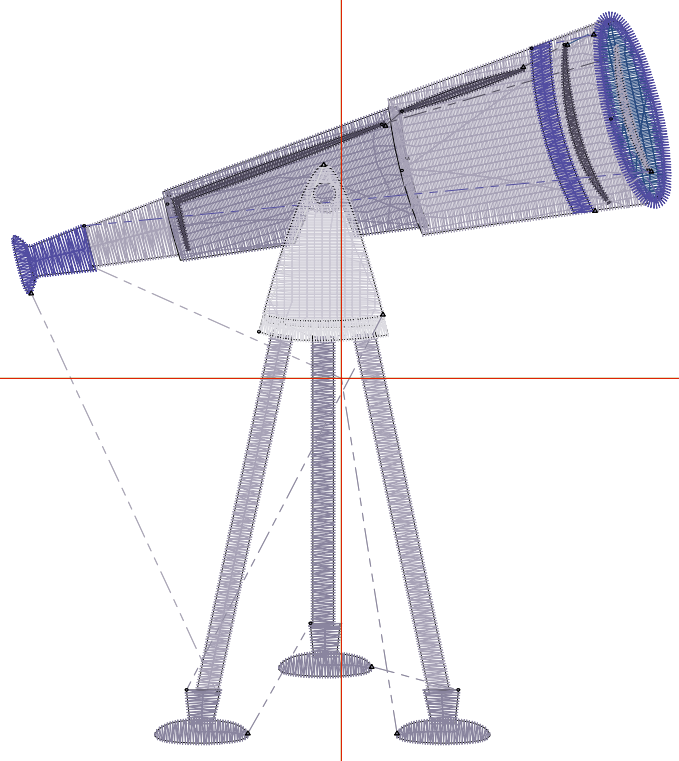


Design: **Telescope**

Title: **Telescope**

Stitches: 6,560
Height: 3.82 in
Width: 3.44 in
Colors: 7
Colorway: Colorway 1
Zoom: 1:1

Machine format: Tajima
Color changes: 12
Stops: 13
Trims: 18
Auto fabric: Fabric Name
Required stabilizer: Stabilizer
Appliqués: 0
Left: 43.6 mm
Right: 43.6 mm
Up: 48.5 mm
Down: 48.5 mm
EndX: 0.00 in
EndY: 0.00 in
Area: 13.12 in²
Max stitch: 10.3 mm
Min stitch: 0.2 mm
Max jump: 6.8 mm
Total thread: 122.35ft
Total bobbin: 44.47ft



Stop Sequence:

#	#	Color	St.	Code	Name	Chart
1.	16		128	16	Pastel Blue	DecoStudio
2.	17		1,008	17	Baby Blue	DecoStudio
3.	16		1,402	16	Pastel Blue	DecoStudio
4.	19		536	19	Deep Navy Blue	DecoStudio
5.	22		388	22	Ice Blue	DecoStudio
6.	21		555	21	Sky Blue	DecoStudio
7.	16		138	16	Pastel Blue	DecoStudio
8.	21		163	21	Sky Blue	DecoStudio
9.	16		757	16	Pastel Blue	DecoStudio
10.	17		287	17	Baby Blue	DecoStudio
11.	23		584	23	Light BlueGreen	DecoStudio
12.	12		147	12	Powder Blue	DecoStudio
13.	17		465	17	Baby Blue	DecoStudio