

Michaels[®]

**Embroidery Design
Sewing Information**

Production Worksheet

Wilcom TrueSizer



Design: **Meteorite**

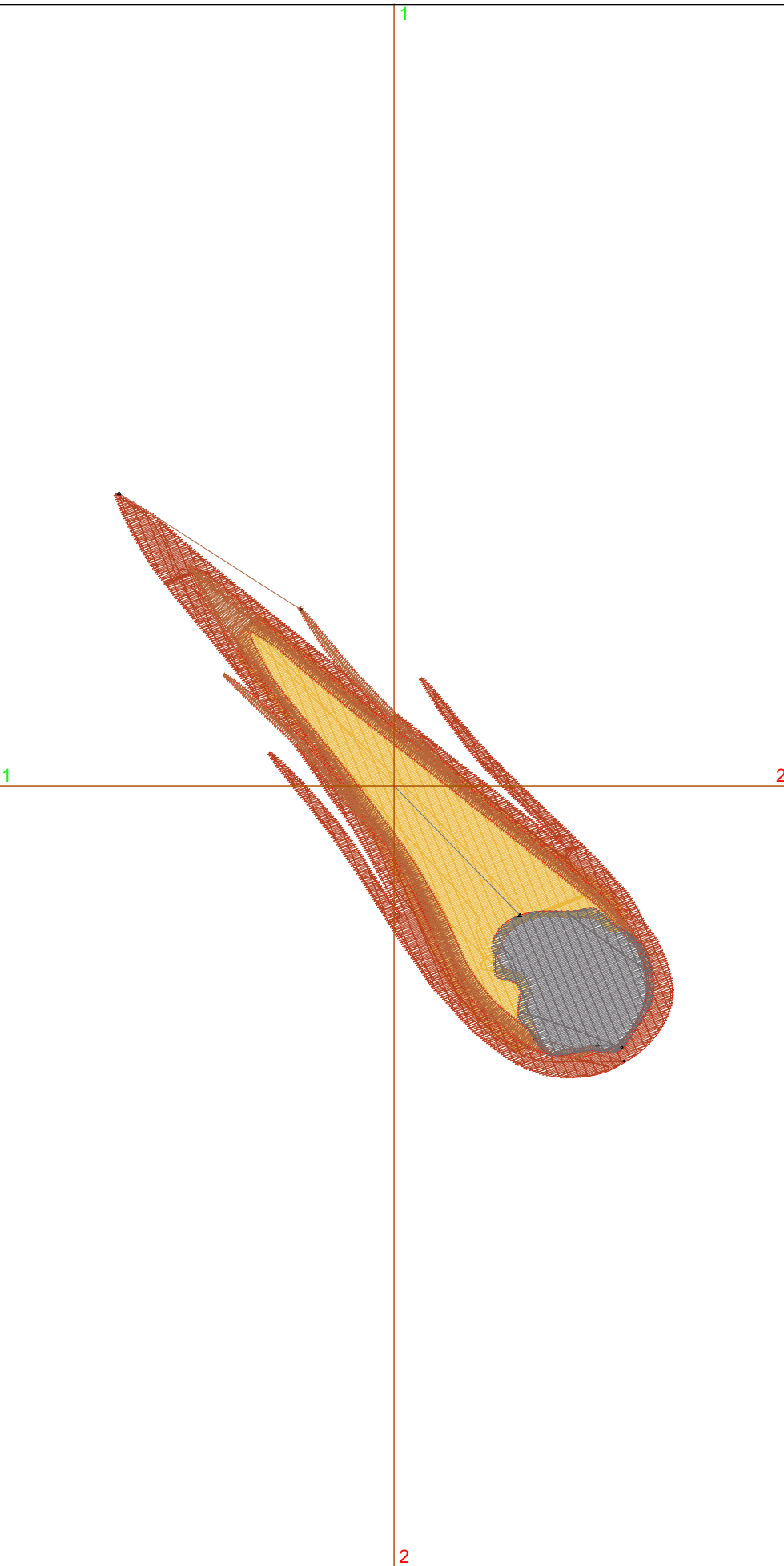
Title: **Meteorite**

Stitches: 9,503
 Height: 3.80 in
 Width: 3.64 in
 Colors: 4
 Colorway: Colorway 1
 Zoom: 1:1

Machine format: Tajima
 Color changes: 3
 Stops: 4
 Trims: 4
 Auto fabric: Pure Cotton
 Required stabilizer: Topping:
 Backing: Tear Away x 2
 Appliqués: 0
 Left: 46.2 mm
 Right: 46.2 mm
 Up: 48.2 mm
 Down: 48.3 mm
 EndX: 0.00 in
 EndY: 0.00 in
 Area: 13.83 in²
 Max stitch: 6.7 mm
 Min stitch: 0.4 mm
 Max jump: 6.7 mm
 Total thread: 168.02ft
 Total bobbin: 61.84ft

Stop Sequence:

| # | # | Color | St. | Code | Name | Chart |
|----|----|---|-------|------|---------------|--------|
| 1. | 49 | | 2,696 | 49 | Deep Yellow | Wilcom |
| 2. | 46 | | 3,956 | 46 | Autumn Orange | Wilcom |
| 3. | 6 | | 1,883 | 6 | Brick Red | Wilcom |
| 4. | 20 | | 966 | 20 | Desert Blue | Wilcom |



Color Film

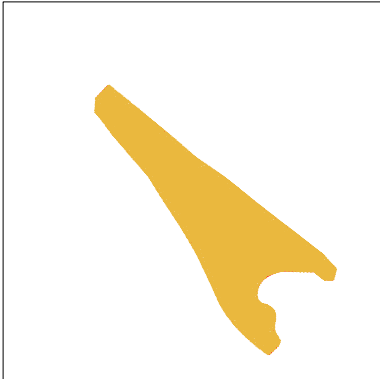
Wilcom TrueSizer



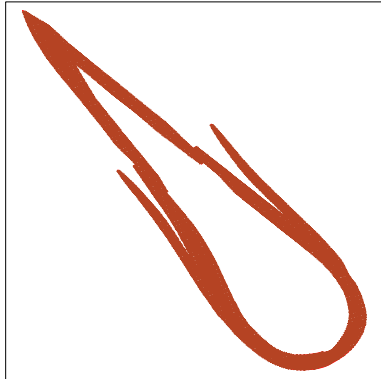
Design: **Meteorite**

Title: **Meteorite**

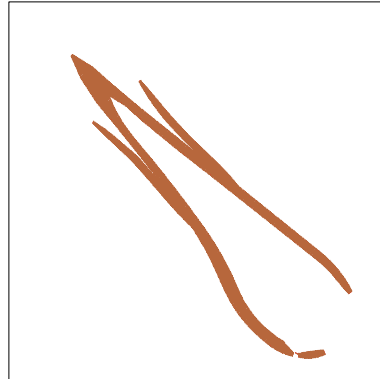
Stitches: 9,503
Height: 3.80 in
Width: 3.64 in
Colors: 4
Colorway: Colorway 1
Zoom: 0.49



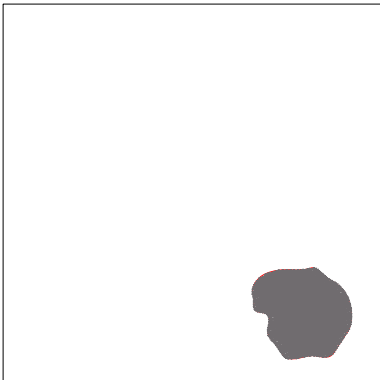
Stop #: 1
Code: 49
Name: Deep Yellow
Chart: Wilcom
Stitches: 2,696
Thread used: 54.35ft



Stop #: 2
Code: 46
Name: Autumn Orange
Chart: Wilcom
Stitches: 3,956
Thread used: 60.81ft



Stop #: 3
Code: 6
Name: Brick Red
Chart: Wilcom
Stitches: 1,883
Thread used: 31.62ft



Stop #: 4
Code: 20
Name: Desert Blue
Chart: Wilcom
Stitches: 966
Thread used: 19.93ft