

Michaels®

Embroidery Design
Sewing Information

Production Worksheet

Wilcom TrueSizer



Design: **Cross Silhouettes**

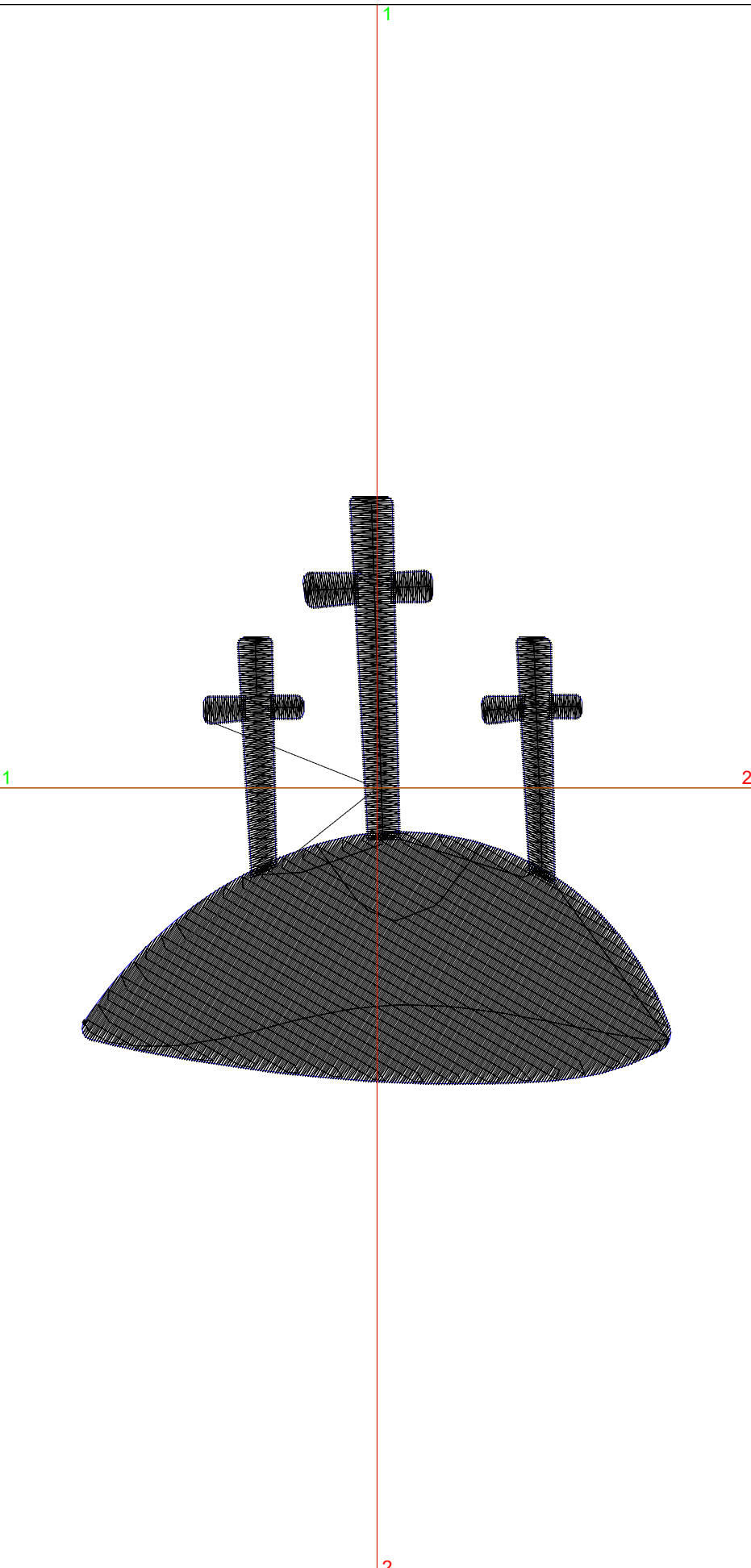
Title: **Cross Silhouettes**

Stitches: 6,414
Height: 3.80 in
Width: 3.80 in
Colors: 1
Colorway: Colorway 1
Zoom: 1:1

Machine format: Tajima
Color changes: 0
Stops: 1
Trims: 1
Auto fabric: Custom Fabric
Required stabilizer: Topping:
Backing: Tear Away x 2
Appliqués: 0
Left: 48.3 mm
Right: 48.3 mm
Up: 47.8 mm
Down: 48.7 mm
EndX: 0.00 in
EndY: 0.00 in
Area: 14.44 in²
Max stitch: 7.3 mm
Min stitch: 0.3 mm
Max jump: 6.9 mm
Total thread: 150.54ft
Total bobbin: 64.08ft

Stop Sequence:

#	#	Color	St.	Code	Name	Chart
1.	12	■	6,412	Black	Madeira Classic 1000	



Color Film

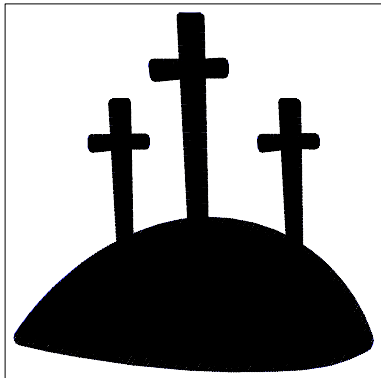
Wilcom TrueSizer



Design: **Cross Silhouettes**

Title: **Cross Silhouettes**

Stitches: 6,414
Height: 3.80 in
Width: 3.80 in
Colors: 1
Colorway: Colorway 1
Zoom: 0.49



Stop #: 1
Code: Black
Name:
Chart: Madeira Classic 1000
Stitches: 6,412
Thread used: 150.21ft