

Michaels®

Embroidery Design
Sewing Information

Stitches: Colors:

1

12058
 Color changes: 11
 Stops: 15
 16

Machine: Tajima
 Trims: 24

Left: 47.7 mm
 Right: 47.8 mm
 Up: 30.1 mm
 Down: 30.8 mm

EndX: 0.00 in
 EndY: 0.00 in

Max Stitch: 8.2 mm
 Min Stitch: 0.2 mm
 Max Jump: 6.9 mm

Colorway: Colorway 1

#	C	St.	Descr	Code
---	---	-----	-------	------

1.	33	967	PMS 430	Gray
----	----	-----	---------	------

Brand: Madeira Classic 1118

2.	32	213	PMS 431	Dark Gray
----	----	-----	---------	-----------

Brand: Madeira Classic 1041

3.	24	503	PMS 3435	Dark Green
----	----	-----	----------	------------

Brand: Madeira Classic 1370

4.	27	302	PMS 355	Green
----	----	-----	---------	-------

Brand: Madeira Classic 1251

5.	25	1710	PMS 370	Mahandi Green
----	----	------	---------	---------------

Brand: Madeira Classic 1170

6.	12	978	Black	
----	----	-----	-------	--

Brand: Madeira Classic 1000

7.	23	1805	PMS 367	Light Green
----	----	------	---------	-------------

Brand: Madeira Classic 1049

8.	31	393	PMS 210	Med Grey
----	----	-----	---------	----------

Brand: Madeira Classic 1321

9.	34	365	PMS 429	Light Gray
----	----	-----	---------	------------

Brand: Madeira Classic 1011

10.	33	1817	PMS 430	Gray
-----	----	------	---------	------

Brand: Madeira Classic 1118

11.	23	795	PMS 367	Light Green
-----	----	-----	---------	-------------

Brand: Madeira Classic 1049

12.	32	1085	PMS 431	Dark Gray
-----	----	------	---------	-----------

Brand: Madeira Classic 1041

13.	12	489	Black	
-----	----	-----	-------	--

Brand: Madeira Classic 1000

14.	22	310	PMS 3435	Mahndi Green
-----	----	-----	----------	--------------

Brand: Madeira Classic 1370

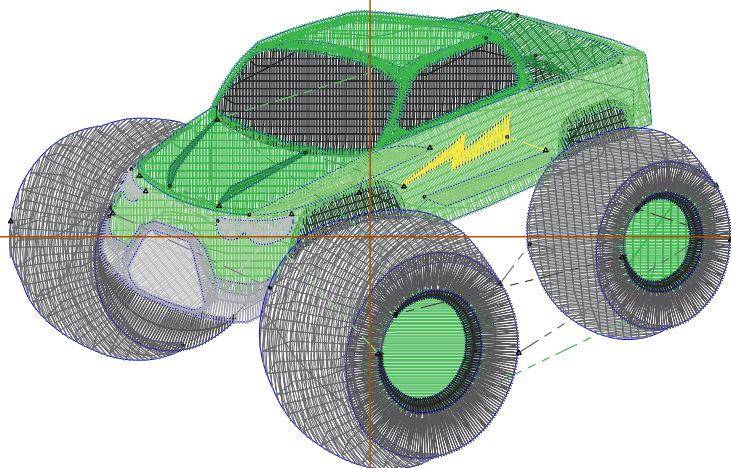
15.	18	138	PMS 116	Yellow
-----	----	-----	---------	--------

Brand: Madeira Classic 1125

16.	27	186	PMS 355	Green
-----	----	-----	---------	-------

Brand: Madeira Classic 1251

Total Bobbin: 84.48ft



2

2