

Michaels[®]

**Embroidery Design
Sewing Information**

Production Worksheet

Wilcom TrueSizer



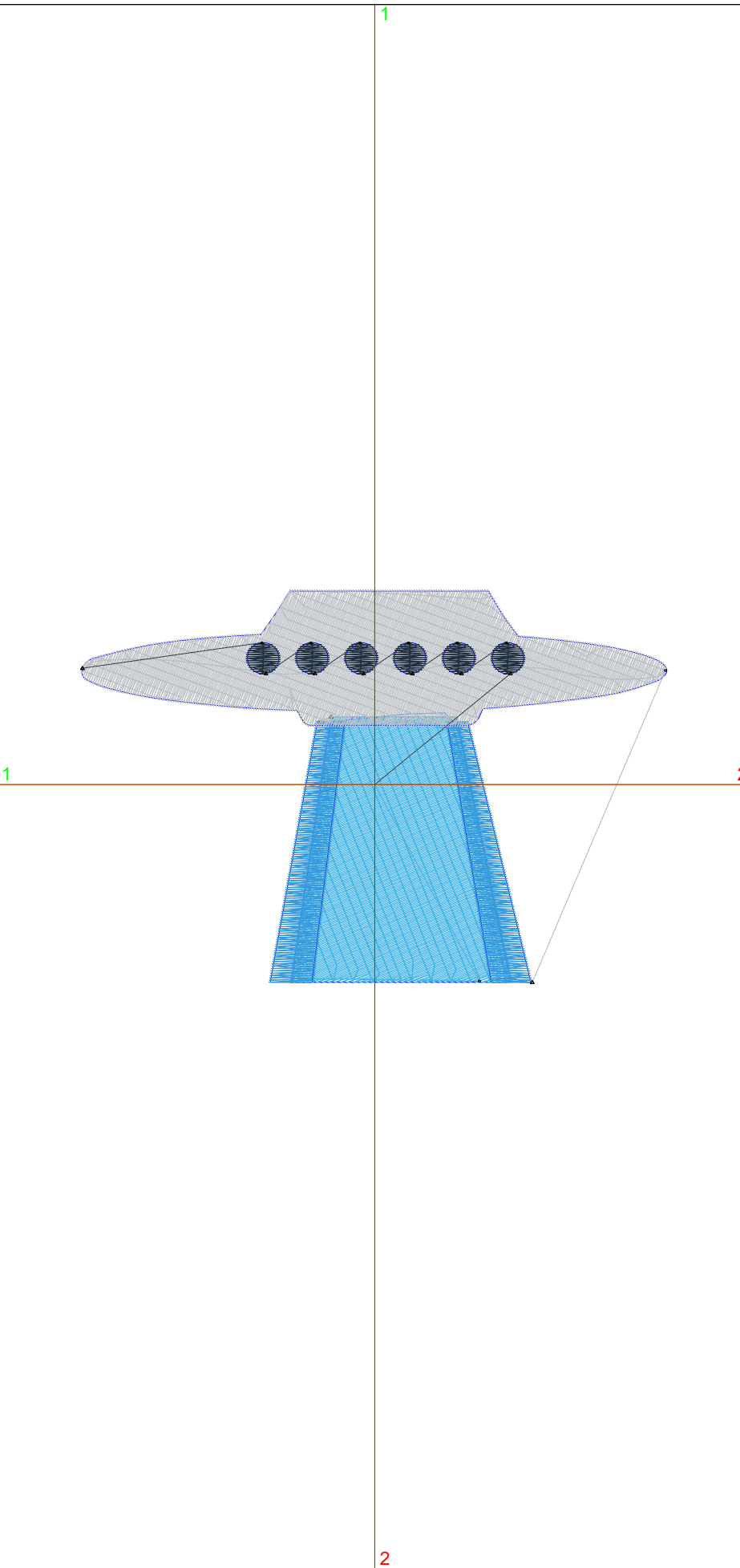
Design: **UFO**
 Title: **UFO**

Stitches: 6,008
 Height: 2.55 in
 Width: 3.80 in
 Colors: 4
 Colorway: Colorway 1
 Zoom: 1:1

Machine format: Tajima
 Color changes: 3
 Stops: 4
 Trims: 9
 Auto fabric: Custom Fabric
 Required stabilizer: Topping:
 Backing: Tear Away x 2
 Appliqués: 0
 Left: 48.3 mm
 Right: 48.1 mm
 Up: 32.1 mm
 Down: 32.7 mm
 EndX: 0.00 in
 EndY: 0.00 in
 Area: 9.69 in²
 Max stitch: 7.4 mm
 Min stitch: 0.3 mm
 Max jump: 6.5 mm
 Total thread: 131.29ft
 Total bobbin: 53.66ft

Stop Sequence:

#	#	Color	St.	Code	Name	Chart
1.	5	■	2,238		Madeira Classic 1376	
2.	4	■	774		Madeira Classic 1094	
3.	26	■	2,653		Madeira Classic 1299	
4.	7	■	341		Madeira Classic 1093	



Color Film

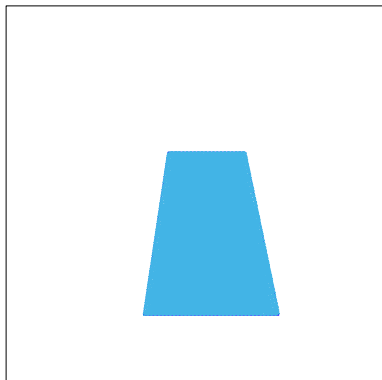
Wilcom TrueSizer



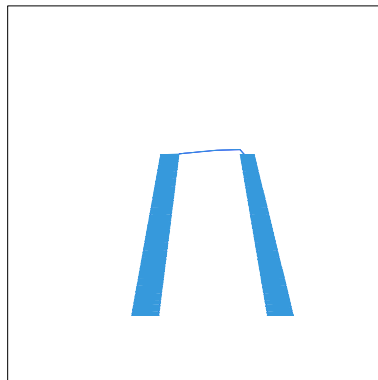
Design: **UFO**

Title: **UFO**

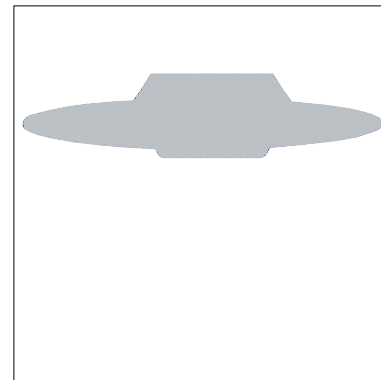
Stitches: 6,008
Height: 2.55 in
Width: 3.80 in
Colors: 4
Colorway: Colorway 1
Zoom: 0.49



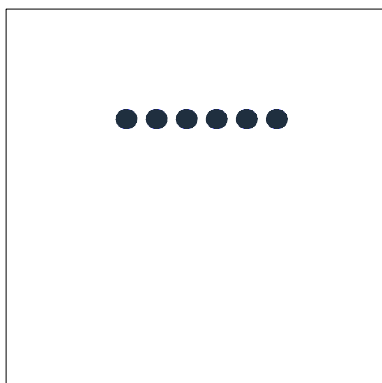
Stop #: 1
Code:
Name:
Chart: Madeira Classic 1376
Stitches: 2,238
Thread used: 48.57ft



Stop #: 2
Code:
Name:
Chart: Madeira Classic 1094
Stitches: 774
Thread used: 20.39ft



Stop #: 3
Code:
Name:
Chart: Madeira Classic 1299
Stitches: 2,653
Thread used: 54.20ft



Stop #: 4
Code:
Name:
Chart: Madeira Classic 1093
Stitches: 341
Thread used: 6.82ft